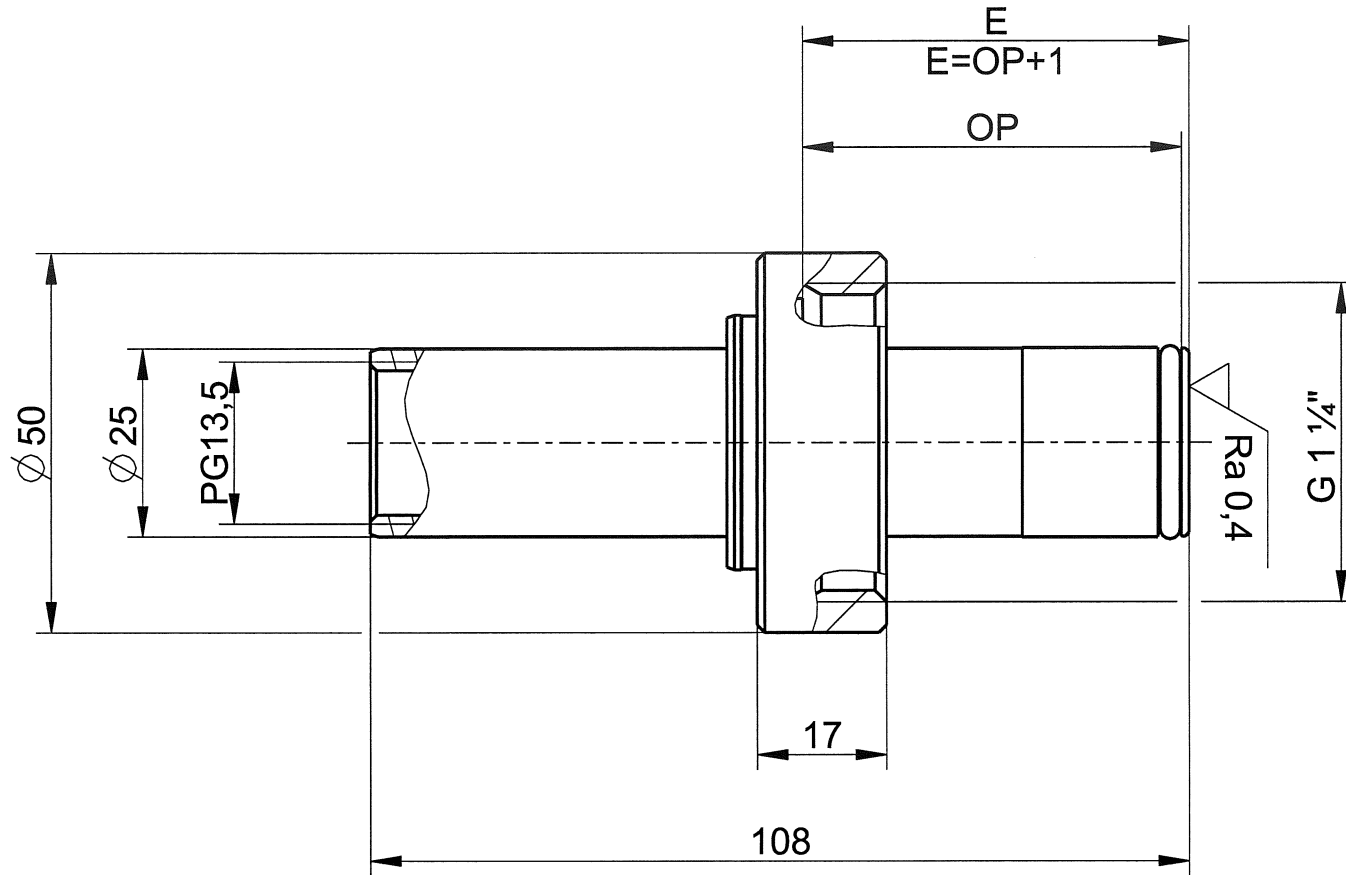


Insertion Depth	
OP	E
22	23
23	24
24	25
25	26
26	27
27	28
28	29
29	30
30	31
31	32
32	33
33	34
34	35
35	36
36	37
37	38
38	39
39	40
40	41
41	42
42	43
43	44
44	45
45	46
46	47
47	48
48	49
49	50
50	51
51	52
52	53
53	54
54	55
55	56



Information in this document is valid only for the revision indicated and may be subject to change without notice!

Dimensions without tolerances are for information purpose only!

<h2>FlexiFit U Bio</h2>	Mass			Scale	1/1
	Material			[mm]	Size
	Drawn	M.Tanasie	2014-02-06	Sheet	1/1
	Checked	<i>[Signature]</i>	<i>[Signature]</i>	Rev.	00
		Hamilton Bonaduz AG Via Crusch 8 CH-7402 Bonaduz		<h2>SZC237380</h2>	