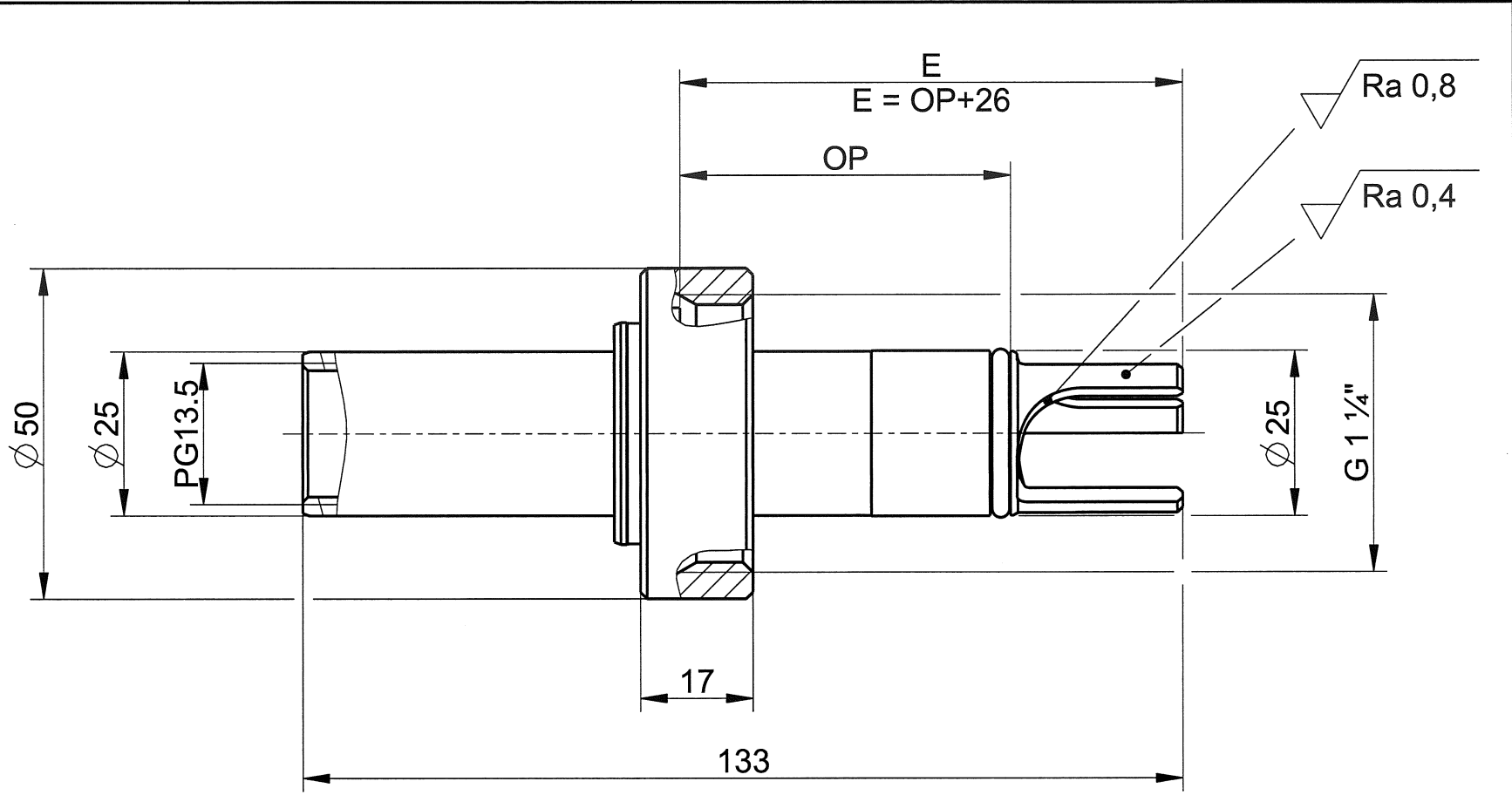


Modell Nr.	237331
Modell Rev.	02-8-Freigegeben
Objektyp	ASSEM
Zeich. Rev.	00-8-Freigegeben

Insertion Depth	
OP	E
22	48
23	49
24	50
25	51
26	52
27	53
28	54
29	55
30	56
31	57
32	58
33	59
34	60
35	61
36	62
37	63
38	64
39	65
40	66
41	67
42	68
43	69
44	70
45	71
46	72
47	73
48	74
49	75
50	76
51	77
52	78
53	79
54	80
55	81



Information in this document is valid only for the revision indicated and may be subject to change without notice!

Dimensions without tolerances are for information purpose only!

<b>FlexiFit Bio</b>	Mass			Scale	
	Material			[mm]	1/1
	Drawn	M.Tanasie	2014-02-04	Size	A4
	Checked	<i>[Signature]</i>	<i>[Signature]</i>	Sheet	1/1
			Hamilton Bonaduz AG Via Crusch 8 CH-7402 Bonaduz		
<b>SZC237331</b>			Rev. 00		