

This drawing is the property of HAMILTON COMPANY and is furnished in confidence for a specific purpose. Disclosure or use of its contents for any other purpose is prohibited unless authorized by HAMILTON COMPANY.

Model Nr.: 242325	Model Rev.: 00-3-Wird bearbeitet
Object type: ASSEM	Drawing Rev.: C80-0-Wird bearbeitet

1 2 3 4 5 6

A

B

C

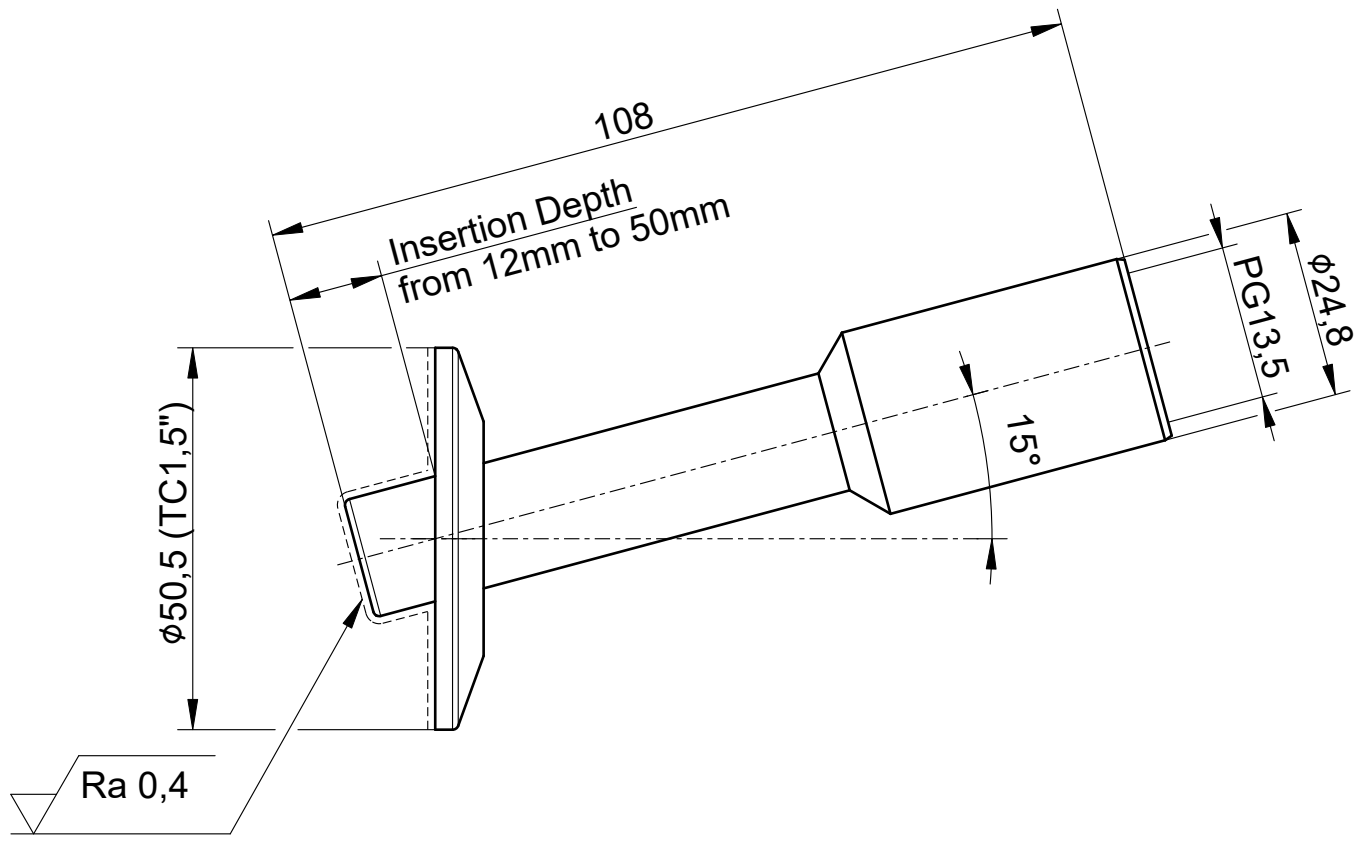
D

A

B

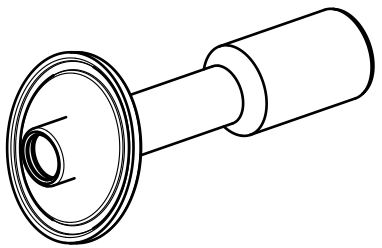
C

D



Information in this document is valid only for the revision indicated and may be subject to change without notice!

Dimensions without tolerances are for information purpose only!



Title: FlexiFit U TC 50-15°-XX	Material:	Mass: -		
	Created / Changed: Anti Christian 23929	Case-/Change Nr.:	Unit: [mm]	Format: A4
Additional Title:	Approved:	Release date:	Scale: 1/1	Sheet: 1 / 1
		HAMILTON Bonaduz AG Via Crusch 8 CH-7402 Bonaduz	Document number: SZC242325	Rev.: C80

1 2 3 4 5 6